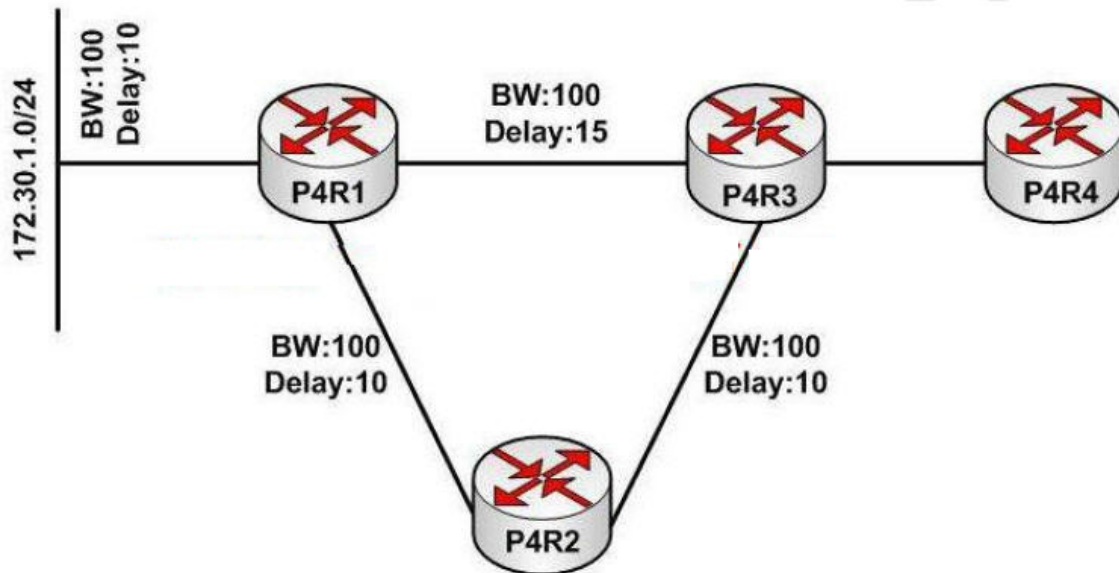


Exam Name:	CCIE-Routing and Switching Qualification (Written Exam)		
Exam Type:	Cisco		
Exam Code:	350-001	Total Questions:	259

Question: 1

You are a network administrator of the Company company. Examine the Company network topology carefully. EIGRP has been configured on this network. P4R1, P4R2 and P4R3 are connected with each other. When the link between P4R1 and P4R3 is down, what would P4R4 receive from P4R3?



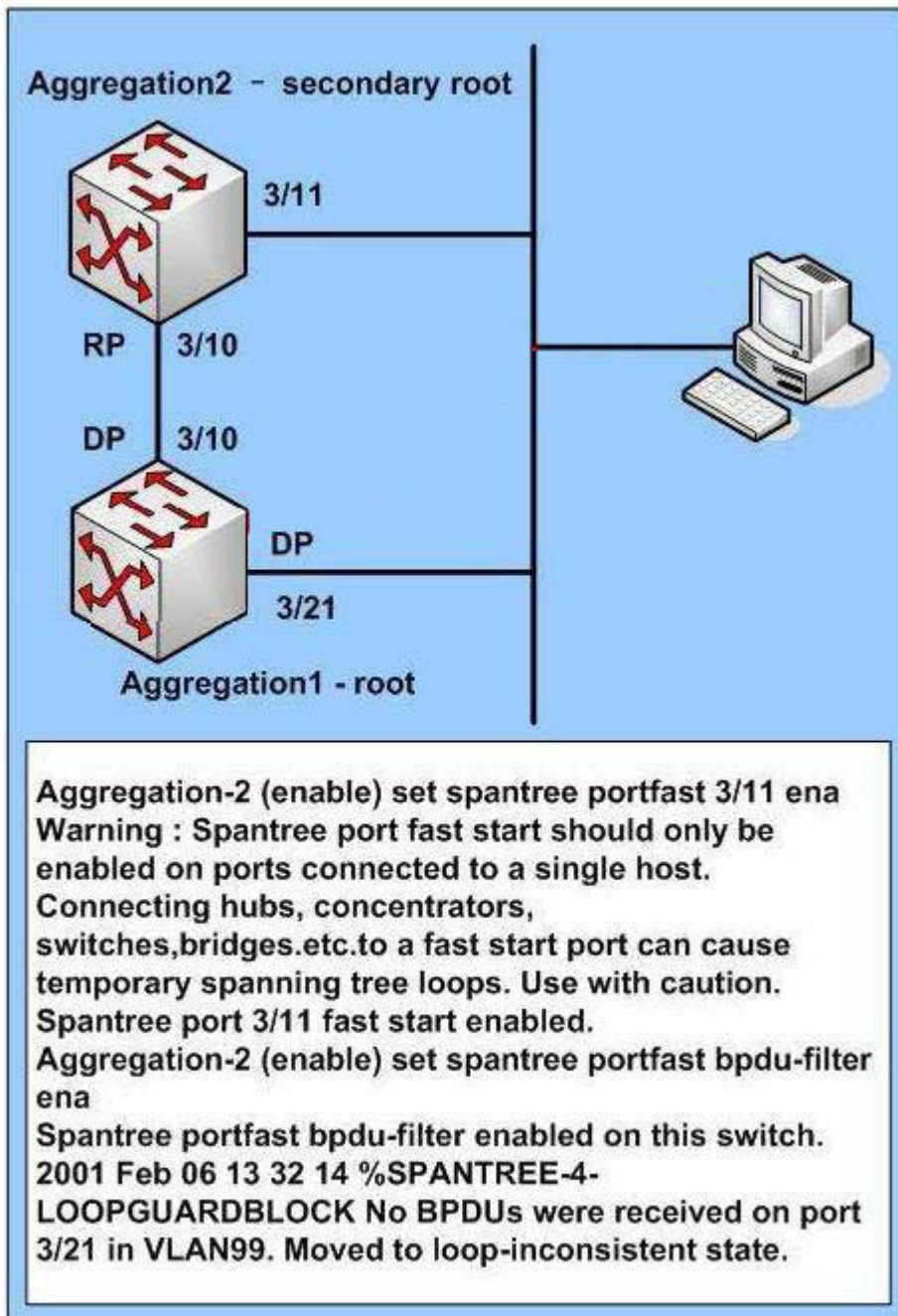
- A. P4R4 would not receive any updates or queries, since P4R3 would simply move to the path through P4R2.
- B. P4R4 would receive an update noting P4R3's higher cost to reach 172.30.1.0/24.
- C. P4R4 would receive a query, since P4R3 would mark 172.30.1.0/24 as active when the link between P4R1 and P4R4 failed
- D. P4R4 would not receive any packets, since P4R3 is not using the link to P4R1 to reach 172.30.1.0/24.

Answer: B

Question: 2

You are a network administrator at Company.com, the following is a network topology of a department. Refer to the exhibit. Which switching feature is being tested?

Exam Name:	CCIE-Routing and Switching Qualification (Written Exam)		
Exam Type:	Cisco		
Exam Code:	350-001	Total Questions:	259



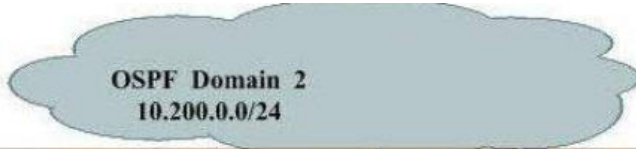
- A. BDPU guard
- B. PortFast
- C. Root guard
- D. Loop guard

Answer: D

Question: 3

Which two of these best describe an OSPF stub area? (Choose two.)

Exam Name:	CCIE-Routing and Switching Qualification (Written Exam)		
Exam Type:	Cisco		
Exam Code:	350-001	Total Questions:	259



P4S-RA configuration	P4S-RB configuration
<pre> router ospf 1 <text omitted> redistribute ospf 2 subnet distance 255 10.100.2.2 1 ! router ospf 2 <text omitted> redistribute ospf 1 subnet distance 255 10.200.4.4 0.0.0.0 2 ! access-list 1 permit 10.200.0.0 0.0.255.255 access-list 2 permit 10.100.0.0 0.0.255.255 </pre>	<pre> router ospf 1 <text omitted> redistribute ospf 2 subnet distance 255 10.100.1.1 1 ! router ospf 2 <text omitted> redistribute ospf 1 subnet distance 255 10.200.3.3 0.0.0.0 2 ! access-list 1 permit 10.200.0.0 0.0.255.255 access-list 2 permit 10.100.0.0 0.0.255.255 </pre>

- A. All routers in a stub area must be configured as stub.
- B. Only summary routes from an external AS can be injected into a stub area.
- C. A stub area will not accept routes belonging to an external AS.
- D. Each stub area always has an ASBR attached to it.

Answer: A, C

Question: 4

Which two of these parameters are used to determine a forwarding equivalence class? (Choose two.)

Exam Name:	CCIE-Routing and Switching Qualification (Written Exam)		
Exam Type:	Cisco		
Exam Code:	350-001	Total Questions:	259

```

network 10.1.2.0 0.0.0.255 area 1
redistribute static subnets
redistribute connected subnets

P4S-R1#show ip ospf data external 10.1.4.0/24

OSPF Router with ID (10.1.3.1) (Process ID 1)
Type-5 AS External Link States
LS age: 72
Options: (NO TOS- capability, DC)
LS Type: AS External Link
Link State ID: 10.1.4.0 (External Network Number )
Advertising Router: 10.1.3.1
LS Seq Number: 80000001
Checksum: 0xF161
Length: 36

```

- A. IP prefix
- B. Layer 2 circuit
- C. BGP MED value
- D. RSVP request from CE for bandwidth reservation

Answer: A, B

Question: 5

In order to create a fully-meshed Frame Relay network with point-to-point links between 10 sites, how many links would be needed?

- A. 35
- B. 10
- C. 20
- D. 45

Answer: D

Question: 6

If an LSR receives a labeled packet for which there is no label entry in the LFIB, which action does the router perform?

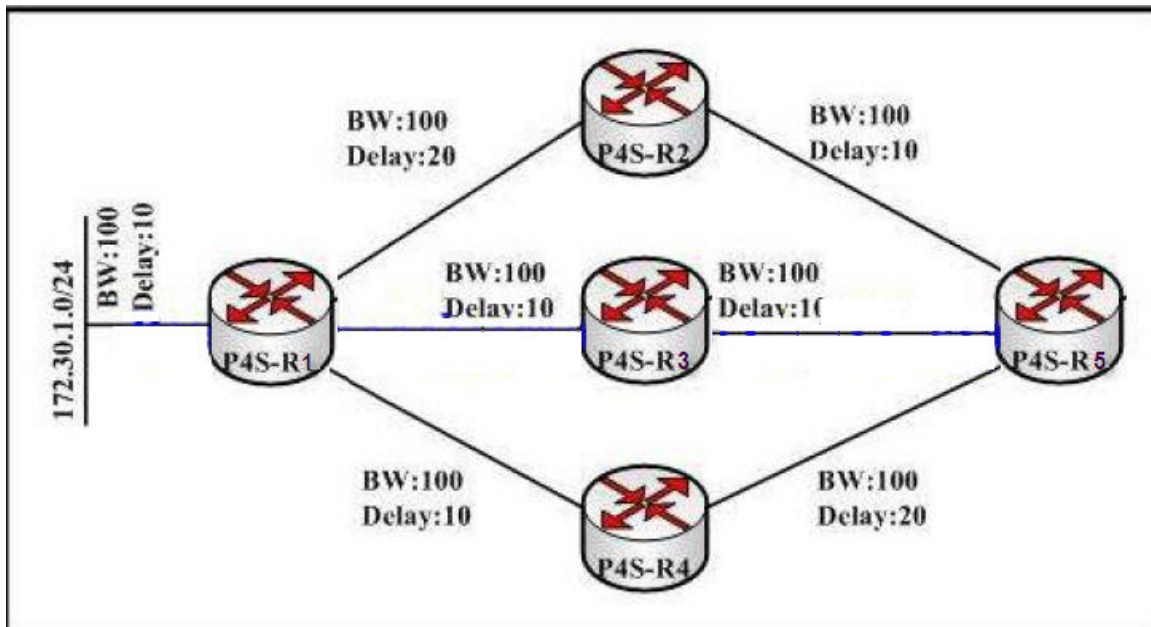
- A. It strips the label and does a lookup in the FIB using the IP destination address.
- B. It uses LDP to create an LSP and a new entry in the LFIB for that label.
- C. It drops the packet
- D. It uses a default label for forwarding

Answer: C

Question: 7

Exam Name:	CCIE-Routing and Switching Qualification (Written Exam)		
Exam Type:	Cisco		
Exam Code:	350-001	Total Questions:	259

When the NTP peer statement is used in a Cisco IOS router, what functionality does this imply is also being used on the router?



- A. Static server
- B. Symmetric active mode
- C. NTP broadcast client
- D. Static client

Answer: B

Question: 8

If a port configured with STP PortFast BPDU guard receives a BPDU, what will happen to the port?

- A. It will be put into a forwarding state
- B. It will be designated as a root port
- C. It will be put into an errdisabled state
- D. It will be identified as a designated port

Answer: C

Question: 9

This question is about the Spanning Tree Protocol (STP) root guard feature. What is the STP root guard feature designed to prevent?

- A. A root port being transitioned to the blocking state
- B. A port being assigned as a root port
- C. A port being assigned as an alternate port
- D. A root port being transitioned to the forwarding state

Answer: B

Question: 10

Exam Name:	CCIE-Routing and Switching Qualification (Written Exam)		
Exam Type:	Cisco		
Exam Code:	350-001	Total Questions:	259

For the following resources, which one would most likely be depleted by having multiple unknown unicast frames in a switch?

- A. Available memory for frame buffering
- B. Electrical power
- C. Available bandwidth
- D. Available MAC addresses in the system

Answer: C

Question: 11

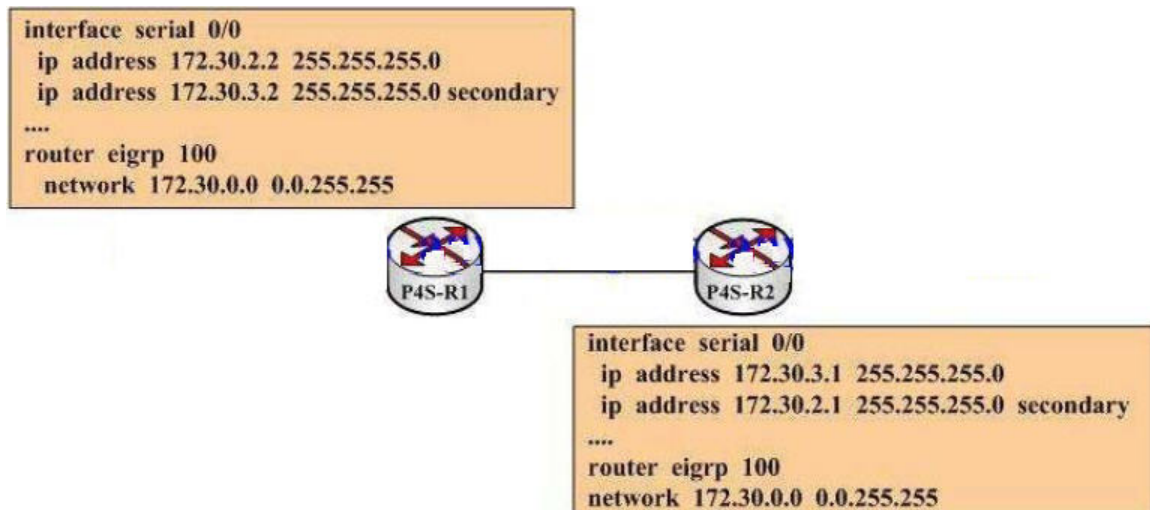
When receiving information from redistributed routes, which factor will not be used by a router when building its routing table?

- A. Routing protocol process ID
- B. The route metric
- C. Administrative distance
- D. IP prefix lists

Answer: A

Question: 12

On the basis of the exhibit. In this network, the two directly-connected routers P4S-R1 and P4S-R2 will not form an EIGRP neighbor relationship. Which would most likely cause this problem?



- A. The two routers are not on the same IP subnet.
- B. There is a partial link failure of some type
- C. The network statements under the EIGRP routing process are misconfigured.
- D. The two routers are in different autonomous systems.

Answer: A

Question: 13

This is part of Company network topology, study the exhibit carefully. P4S-R1 is configured not to perform autosummarization within EIGRP. What routes will P4S-R3 learn from P4S-R2 through EIGRP?