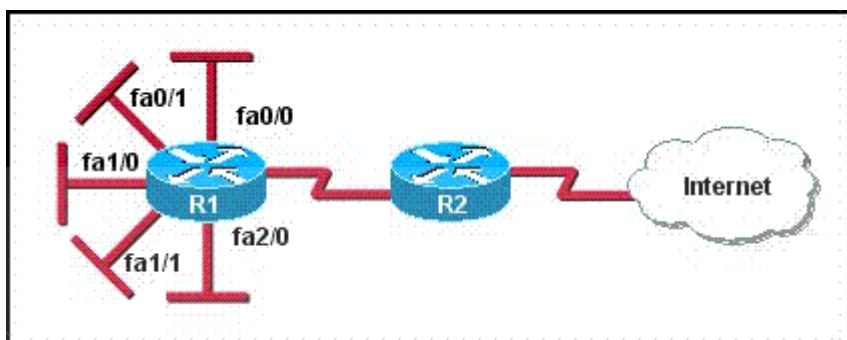


Exam Code: 640-802
Title: Cisco Certified Network Associate
Test Time: 120 Min
Version: 5.59

SessionA: 45 Questions
SessionB: 44 Questions
SessionC: 42 Questions
SessionD: 40 Questions
SessionE: 41 Questions
SessionF: 47 Questions

SessionA

1: The Ethernet networks connected to router R1 in the graphic have been summarized for router R2 as 192.1.144.0/20. Which of the following packet destination addresses will R2 forward to R1, according to this summary? (Choose two.)



- A. 192.1.159.2
- B. 192.1.160.11
- C. 192.1.138.41
- D. 192.1.151.254
- E. 192.1.143.145
- F. 192.1.1.144

Correct Answer: A D

2: Drag Drop

Drag the security features on the left to the specific security risks they help protect against on the right. (Not all options are used.)

access-group	remote access to device console
console password	access to the console 0 line
enable secret	access to connected networks or resources
CHAP authentication	viewing of passwords
VTY password	access to privileged mode
service password-encryption	

3: How many bits are contained in each field of an IPv6 address?

- A.24
- B.4
- C.8
- D.16

Correct Answer: D

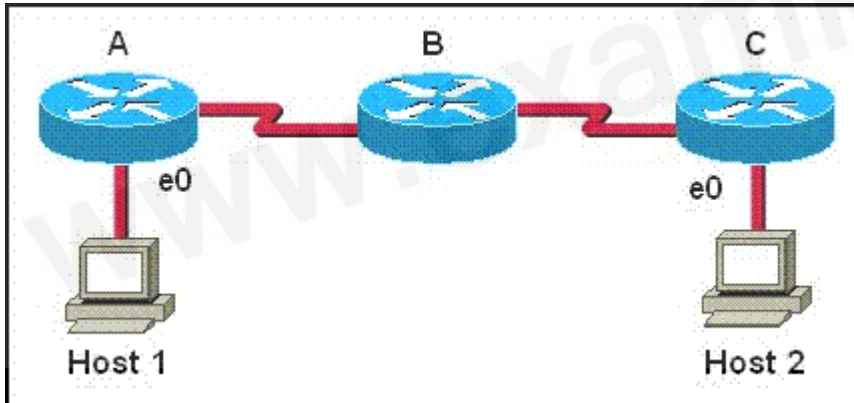
4: Which two devices can interfere with the operation of a wireless network because they operate on similar frequencies? (Choose two.)

- A.copier
- B.microwave oven
- C.toaster
- D.cordless phone
- E.IP phone

F.AM radio

Correct Answer: B D

5: Host 1 is trying to communicate with Host 2. The e0 interface on Router C is down. Which of the following are true? (Choose two.)



- A.Router C will use ICMP to inform Host 1 that Host 2 cannot be reached.
- B.Router C will use ICMP to inform Router B that Host 2 cannot be reached.
- C.Router C will use ICMP to inform Host 1, Router A, and Router B that Host 2 cannot be reached.
- D.Router C will send a Destination Unreachable message type.
- E.Router C will send a Router Selection message type.
- F.Router C will send a Source Quench message type.

Correct Answer: A D

6: Which three of these statements regarding 802.1Q trunking are correct? (Choose three.)

- A.802.1Q native VLAN frames are untagged by default.
- B.802.1Q trunking ports can also be secure ports.
- C.802.1Q trunks can use 10 Mb/s Ethernet interfaces.
- D.802.1Q trunks require full-duplex, point-to-point connectivity.

E.802.1Q trunks should have native VLANs that are the same at both ends.

Correct Answer: A C E

7: Which of the following describe private IP addresses? (Choose two.)

- A.addresses chosen by a company to communicate with the Internet
- B.addresses that cannot be routed through the public Internet
- C.addresses that can be routed through the public Internet
- D.a scheme to conserve public addresses
- E.addresses licensed to enterprises or ISPs by an Internet registry organization

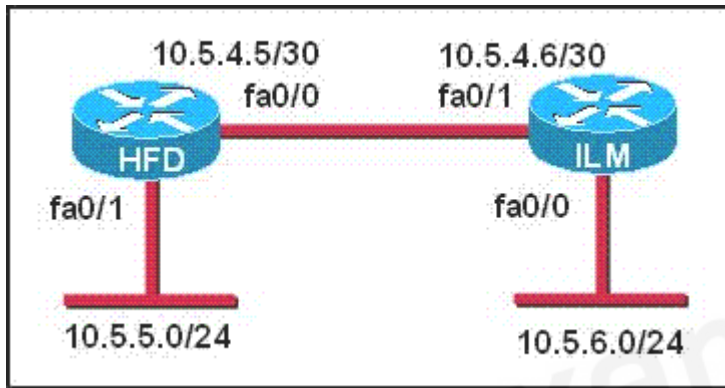
Correct Answer: B D

8: What functions do routers perform in a network? (Choose two.)

- A.packet switching
- B.access layer security
- C.path selection
- D.VLAN membership assignment
- E.bridging between LAN segments
- F.microsegmentation of broadcast domains

Correct Answer: A C

9: Refer to the graphic. A static route to the 10.5.6.0/24 network is to be configured on the HFD router. Which commands will accomplish this? (Choose two.)



- A.HFD(config)# ip route 10.5.6.0 0.0.0.255 fa0/0
- B.HFD(config)# ip route 10.5.6.0 0.0.0.255 10.5.4.6
- C.HFD(config)# ip route 10.5.6.0 255.255.255.0 fa0/0
- D.HFD(config)# ip route 10.5.6.0 255.255.255.0 10.5.4.6
- E.HFD(config)# ip route 10.5.4.6 0.0.0.255 10.5.6.0
- F.HFD(config)# ip route 10.5.4.6 255.255.255.0 10.5.6.0

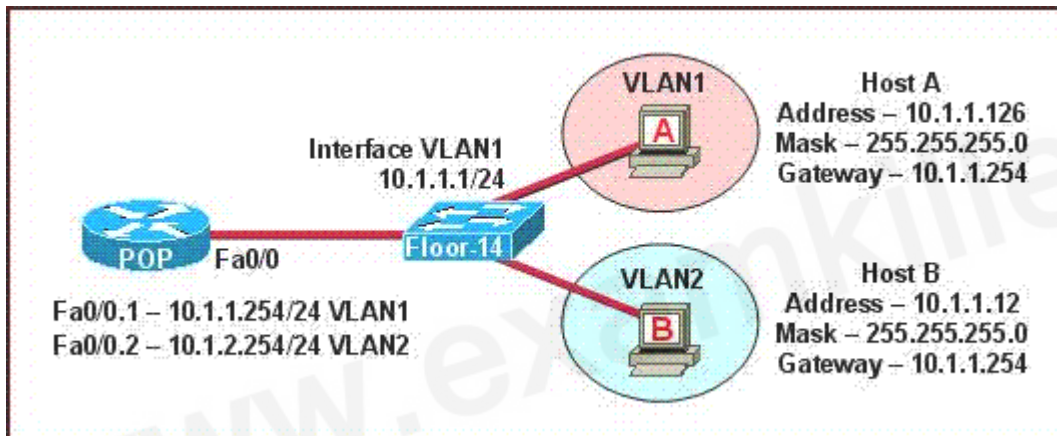
Correct Answer: C D

10: Which of the following correctly describe steps in the OSI data encapsulation process? (Choose two.)

- A.The transport layer divides a data stream into segments and may add reliability and flow control information.
- B.The data link layer adds physical source and destination addresses and an FCS to the segment.
- C.Packets are created when the network layer encapsulates a frame with source and destination host addresses and protocol-related control information.
- D.Packets are created when the network layer adds Layer 3 addresses and control information to a segment.
- E.The presentation layer translates bits into voltages for transmission across the physical link.

Correct Answer: A D

11: Refer to the exhibit. The network shown in the diagram is experiencing connectivity problems. Which of the following will correct the problems? (Choose two.)



- A. Configure the gateway on Host A as 10.1.1.1.
- B. Configure the gateway on Host B as 10.1.2.254.
- C. Configure the IP address of Host A as 10.1.2.2.
- D. Configure the IP address of Host B as 10.1.2.2.
- E. Configure the masks on both hosts to be 255.255.255.224.
- F. Configure the masks on both hosts to be 255.255.255.240.

Correct Answer: B D

12: What are two characteristics of Telnet? (Choose two.)

- A. It sends data in clear text format.
- B. It is no longer supported on Cisco network devices.
- C. It is more secure than SSH.
- D. It requires an enterprise license in order to be implemented.
- E. It requires that the destination device be configured to support Telnet connections.

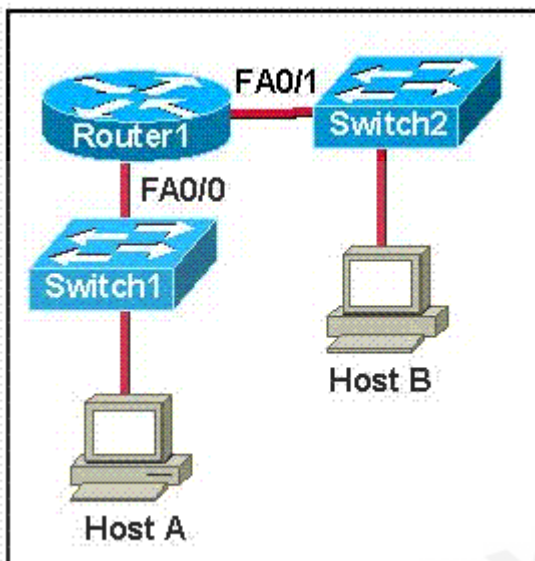
Correct Answer: A E

13: Which three statements are typical characteristics of VLAN arrangements? (Choose three.)

- A. A new switch has no VLANs configured.
- B. Connectivity between VLANs requires a Layer 3 device.
- C. VLANs typically decrease the number of collision domains.
- D. Each VLAN uses a separate address space.
- E. A switch maintains a separate bridging table for each VLAN.
- F. VLANs cannot span multiple switches.

Correct Answer: B D E

14: Refer to the exhibit. Which destination addresses will Host A use to send data to Host B? (Choose two.)

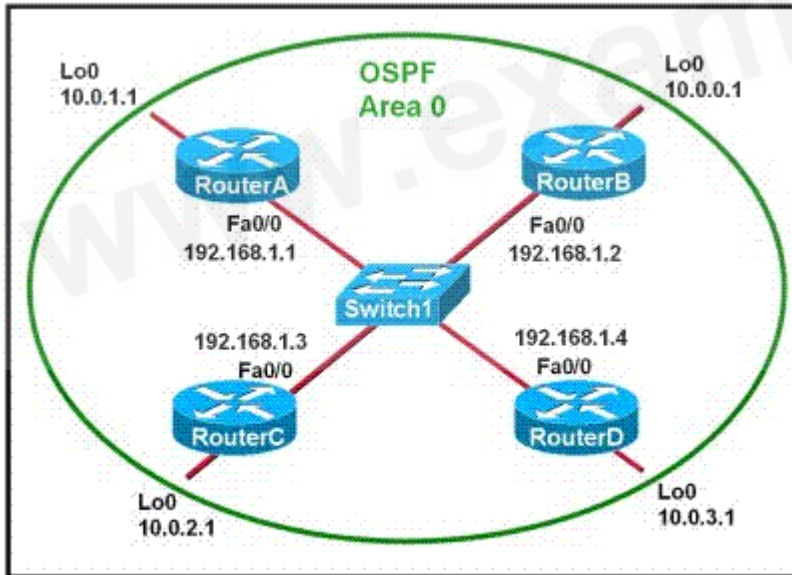


- A. the IP address of Switch1
- B. the IP address of Router1 Fa0/0
- C. the IP address of HostB
- D. the MAC address of Switch1
- E. the MAC address of Router1 Fa0/0

F.the MAC address of HostB

Correct Answer: C E

15: Refer to the exhibit. Which two statements are true about the loopback address that is configured on RouterB? (Choose two.)



- A.It ensures that data will be forwarded by RouterB.
- B.It provides stability for the OSPF process on RouterB.
- C.It specifies that the router ID for RouterB should be 10.0.0.1.
- D.It decreases the metric for routes that are advertised from RouterB.
- E.It indicates that RouterB should be elected the DR for the LAN.

Correct Answer: B C

16: Which of the following describes the roles of devices in a WAN? (Choose three.)

- A.A CSU/DSU terminates a digital local loop.
- B.A modem terminates a digital local loop.
- C.A CSU/DSU terminates an analog local loop.

D.A modem terminates an analog local loop.

E.A router is commonly considered a DTE device.

F.A router is commonly considered a DCE device.

Correct Answer: A D E

17: Which term describes the process of encapsulating IPv6 packets inside IPv4 packets?

A.tunneling

B.hashing

C.routing

D.NAT

Correct Answer: A

18: Which three Layer 2 encapsulation types would be used on a WAN rather than a LAN? (Choose three.)

A.HDLC

B.Ethernet

C.Token Ring

D.PPP

E.FDDI

F.Frame Relay

Correct Answer: A D F

19: Refer to the exhibit. What will Router1 do when it receives the data frame shown? (Choose three.)

Router1# show ip arp

Protocol	Address	Age(min)	Hardware Addr	Type	Interface
Internet	192.168.20.5	9	0000.0c07.f892	ARPA	FastEthernet0/0
Internet	192.168.60.5	8	0000.0c07.ac00	ARPA	FastEthernet0/1
Internet	192.168.20.1	-	0000.0c63.ae45	ARPA	FastEthernet0/0
Internet	192.168.40.5	9	0000.0c07.4320	ARPA	FastEthernet0/2
Internet	192.168.60.1	-	0000.0c63.1300	ARPA	FastEthernet0/1
Internet	192.168.40.1	-	0000.0c36.6965	ARPA	FastEthernet0/2

Data Frame:

Source MAC	Source IP	Destination MAC	Destination IP
0000.0c07.f892	192.168.20.5	0000.0c63.ae45	192.168.40.5

A.Router1 will strip off the source MAC address and replace it with the MAC address 0000.0c36.6965.

B.Router1 will strip off the source IP address and replace it with the IP address 192.168.40.1.

C.Router1 will strip off the destination MAC address and replace it with the MAC address 0000.0c07.4320.

D.Router1 will strip off the destination IP address and replace it with the IP address of 192.168.40.1.

E.Router1 will forward the data packet out interface FastEthernet0/1.

F.Router1 will forward the data packet out interface FastEthernet0/2.

Correct Answer: A C F

20: Refer to the exhibit. Which two statements are true about interVLAN routing in the topology that is shown in the exhibit? (Choose two.)

