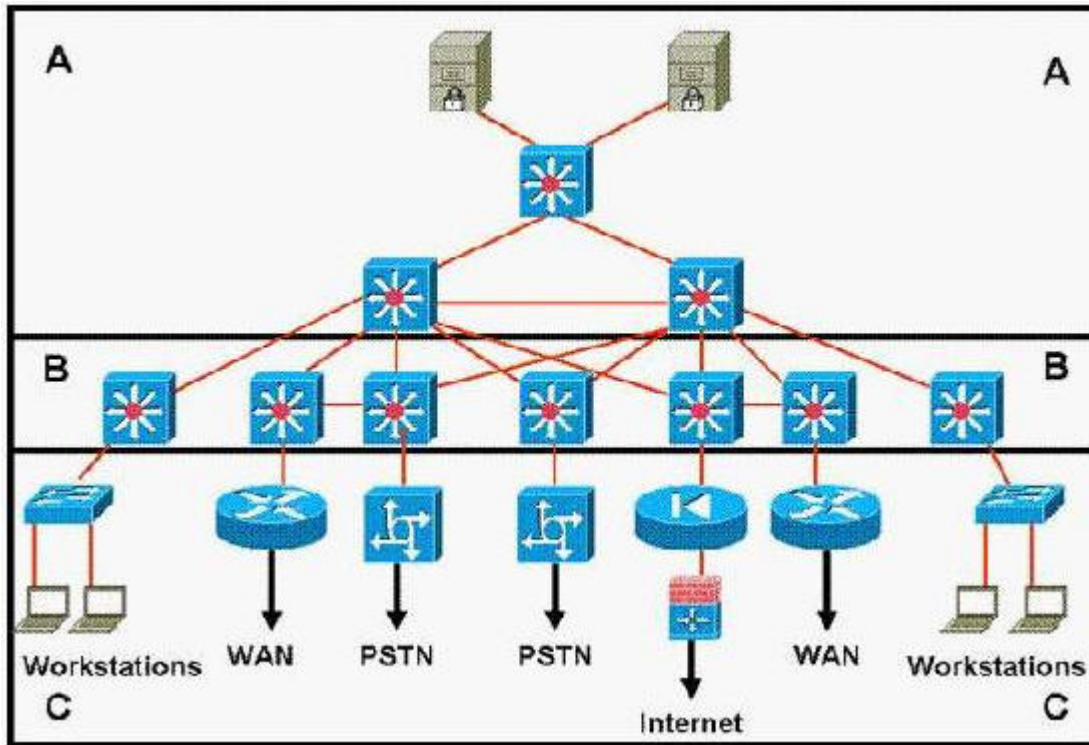


**Question: 1**

Refer to the exhibit.



Which statement accurately represents the characteristics of the core layer in this design?

- A - QoS should be performed only in the core.
- B - Load balancing should never be implemented or used in the core.
- C - Access lists should be used in the core to perform packet manipulation.
- D - It is acceptable to use a partial mesh in the core if it is connected to each device by multiple paths.
- E - Policy-based traffic control is implemented in the core to enable prioritization, ensuring the best performance for all time-critical applications.

**Answer: D**

**Question: 2**

Which statement accurately describes one difference between a small office and medium office topology?

- A - Small offices commonly use Rapid PVST+ for Layer3 deployments.
- B - Medium offices commonly use integrated route and switching platforms.
- C - Medium offices use integrated 10/100/1000 interfaces as Layer 2 trunks.
- D - Medium offices use external access switches to support LAN connectivity.

**Answer: D**

**Question: 3**

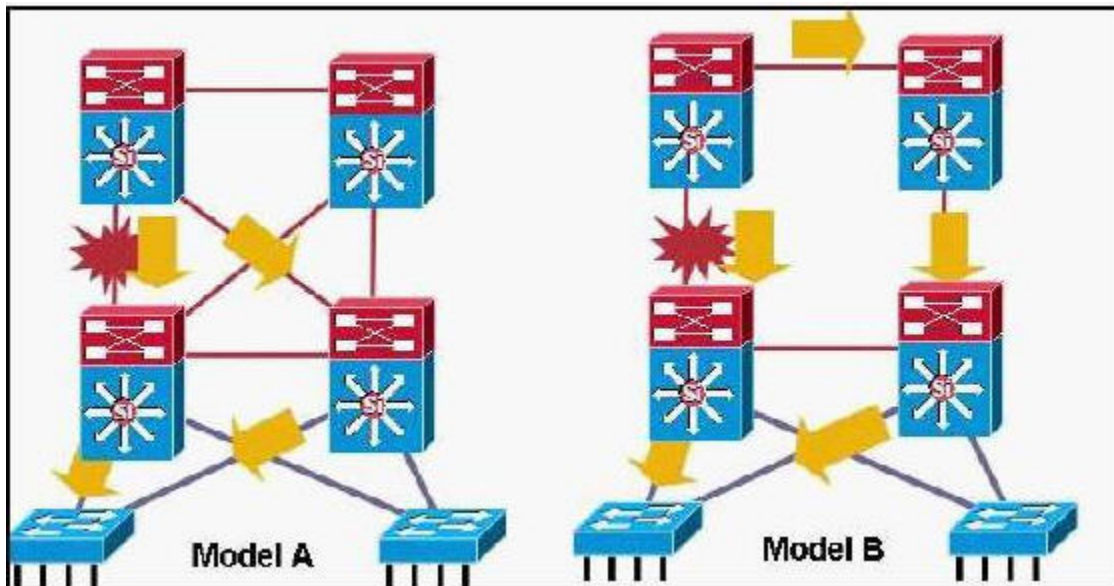
Which three factors best justify WAN link redundancy between geographically dispersed sites? (Choose three.)

- A - Important traffic flows
- B - Lack of speed
- C - High link utilization
- D - Uncertain reliability
- E - Excessive packet transmission rate
- F - High expense of transmitting data

**Answer: A, B, D**

**Question: 4**

Refer to the exhibit.



Which two statements describe why Model A is the recommended design for routing between Building Distribution switches and Campus Core switches? (Choose two.)

- A - It uses timer-based non-deterministic convergence.
- B - It is software-based, providing fast convergence to the remaining path.
- C - Routes are not summarized from distribution to the core.
- D - The Layer 3 redundant equal cost links support fast convergence.
- E - A link or box failure does not require routing protocol convergence.

**Answer: D, E**

**Question: 5**

An organization needs a WAN Transport technology that meets these criteria:

- has a low initial cost
- provides low-to-medium BW
- has medium-to-high latency and jitter

|    |                                       |
|----|---------------------------------------|
| 1. | has a low initial cost                |
| 2. | provides low-to-medium BW             |
| 3. | has medium-to-high latency and jitter |

Which technology would you suggest?

- A - DSL
- B - X.25
- C - ISDN
- D - Wireless
- E - Analog modem

**Answer: A**

**Question: 6**

Which two of these represent a best practice implementation of a Split MAC LWAPP deployment in a Cisco Unified Wireless Network? (Choose two.)

- A - Each wireless client authentication type maps to a shared SSID which in turn maps to a common shared VLAN.
- B - Each wireless client authentication type maps to a unique SSID which in turn maps to a unique VLAN.
- C - Each wireless client authentication type maps to a unique SSID which in turn maps to a common shared VLAN.
- D - 802.1Q trunking extends from the wired infrastructure to the access point for translation into SSID(s).
- E - 802.1Q trunking extends from the wired infrastructure to a wireless LAN controller for translation into SSID(s).
- F - 802.1Q trunking extends from the wired infrastructure to a wireless LAN controller. Then the 802.1Q packet is encapsulated in LWAPP and sent to the access point for transmission over the SSID(s).

**Answer: B, E**

**Question: 7**

Which two statements represent advantages that the top-down network design process has over the bottom-up network design process? (Choose two.)

- A - Is able to provide the big picture
- B - Utilizes previous experience
- C - Takes less time to design a network
- D - Identifies appropriate technologies first
- E - Provides a design for current and future development

**Answer: A, E**

**Question: 8**

Which two of these are required for wireless client mobility deployment when using a Cisco Unified Wireless Network? (Choose two.)

- A - Assigned master controller
- B - Matching mobility group name

- C - Matching RF group name
- D - Matching RF power
- E - Matching security
- F - Matching RF channel

**Answer: B, E**

**Question: 9**

Which two VoIP characteristics are affected most by codec choice? (Choose two.)

- A - Voice quality
- B - Silent packet handling
- C - Voice packet header size
- D - Bandwidth required for voice calls

**Answer: A, D**

**Question: 10**

Which H.323 protocol controls call setup between endpoints?

- A - H.225
- B - H.245
- C - RAS
- D - RTCP

**Answer: A**

**Question: 11**

A company is designing a worldwide IPv6 network with duplicated file servers at multiple locations. Each file server contains identical reference information. Which IPv6 address type would be used to allow each end station to send a request to the nearest file server using the same destination address, regardless of the location of that end station?

- A - Unicast
- B - Anycast
- C - Multicast
- D - Broadcast

**Answer: B**

**Question: 12**

Given a VoIP network with these attributes:

Codec: G.728  
Bit rate: 16Kbps  
WAN Bandwidth: 256 Kbps  
Packet Header 6 bytes  
Payload: 40 bytes  
CRTP: Yes

Codec: G.728  
Bit rate: 16 Kbps  
WAN Bandwidth: 256 Kbps  
Packet Header: 6 bytes  
Payload: 40 bytes  
CRTP: Yes

How many calls can be made?

- A - 7 calls
- B - 8 calls
- C - 13 calls
- D - 14 calls

**Answer: C**

**Question: 13**

The topology map in the draft design document should cover which two layers of the OSI model? (Choose two.)

- A - Physical
- B - Data link
- C - Network
- D - Transport
- E - Session
- F - Application

**Answer: A, C**

**Question: 14**

Which two techniques can reduce voice packet transfer delay across a link of less than 512 kbps? (Choose two.)

- A - Deploy LFI
- B - Increase queue depth
- C - Increase link bandwidth
- D - Extend the trust boundary
- E - Deploy software compression

**Answer: A, C**

**Question: 15**

Your company's Cisco routers are operating with EIGRP. You need to join networks with an acquisition's heterogeneous routers at 3 sites, operating with EIGRP and OSPF. Which describes the best practice for routing protocol deployment?

- A - Apply OSPF throughout both networks
- B - Apply one-way redistribution exclusively at each location
- C - Apply two-way redistribution exclusively at each location
- D - Apply two-way redistribution at each location with a route filter at only one location
- E - Apply two-way redistribution at each location with a route filter at each location

F - Apply EIGRP with the same autonomous system throughout both networks

**Answer: E**

**Question: 16**

A Cisco security mechanism has the following attributes:

it is a sensor appliance  
it searches for potential attacks by capturing and analyzing traffic  
it is a purpose-built device"  
it is installed passively  
it introduces no delay or overhead

it is a sensor appliance  
it searches for potential attacks by capturing and analyzing traffic  
it is a "purpose-built device"  
it is installed passively  
it introduces no delay or overhead

Which Cisco security mechanism is this?

- A - IKE
- B - PIX
- C - HIPS
- D - NIDS
- E - HMAC

**Answer: D**

**Question: 17**

You are designing a small branch office that requires these attributes:

support for 60 users  
the growth capacity to add another 15 users soon  
redundant access  
higher bandwidth between the Layer 2 switch and routing to the WAN

support for 60 users  
the growth capacity to add another 15 users soon  
redundant access  
higher bandwidth between the Layer 2 switch and routing to the WAN

Which branch office topology or technology must be used?

- A - Two-tier
- B - Loop-free
- C - Three-tier

- D - EtherChannel
- E - Integrated routing and switching

**Answer: D**

**Question: 18**

Which two of these best describe the implementation of a WAN Backup design over the Internet?  
(Choose two.)

- A - A best-effort method
- B - Requires no ISP coordination or involvement
- C - Bandwidth guaranteed based on interlace configuration
- D - Designed as an alternative to a failed WAN connection
- E - Implemented with a point-to-point logical link using a Layer 2 tunnel

**Answer: A, D**

**Question: 19**

Given a VoIP network with these attributes:

Codec: G.711  
WAN bandwidth: 768Kbps  
Packet Header: 6 bytes  
Payload: 160 bytes  
CRTP: No

How many calls can be made?

- A - 7calls
- B - 8 calls
- C - 9 calls
- D - 11 calls
- E - 13 calls

**Answer: C**

**Question: 20**

RST Corporation is planning to upgrade its current network. The chief technology officer has supplied a topology diagram and an IP addressing scheme of the current network during an interview.

RST has been growing at about twenty percent per year. It has been difficult to maintain customer support at a satisfactory level. Therefore, the RST board has met with and directed the chief technology officer to look into network improvements.

Which two items are most relevant in documenting RST's business requirements? (Choose two.)

- A - Projected growth estimates
- B - Network performance requirements
- C - Existing network topologies
- D - Improved customer support requirements
- E - The IP addresses assigned by the ISP

**Answer: A, D**